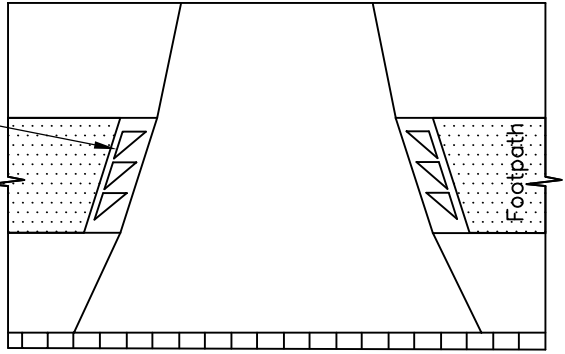
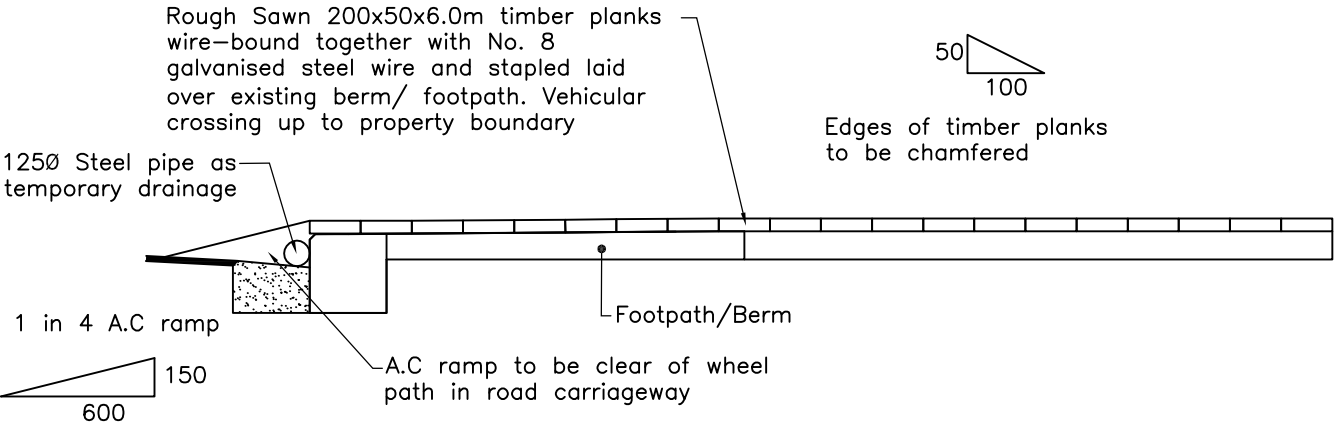


VEHICLE CROSSING  
FOOTPATH ADJACENT TO KERB



VEHICLE CROSSING-FOOTPATH  
SEPARATED FROM KERB



Asphaltic Concrete should be Mix 10 in accordance with Transit NZ Specification



DETAIL:

**TEMPORARY VEHICLE CROSSING INTO RESIDENTIAL PROPERTIES TO PROTECT EXISTING FOOTPATH AND UTILITIES**

**MANUKAU CITY COUNCIL**

Engineering Quality Standards

DETAIL No: R9B

UPDATED: APR 2008