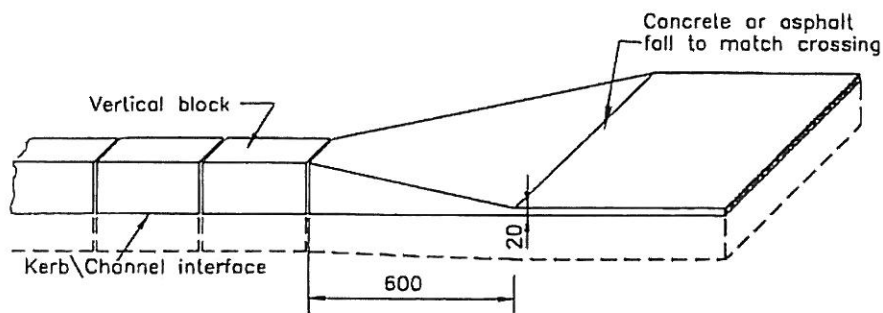
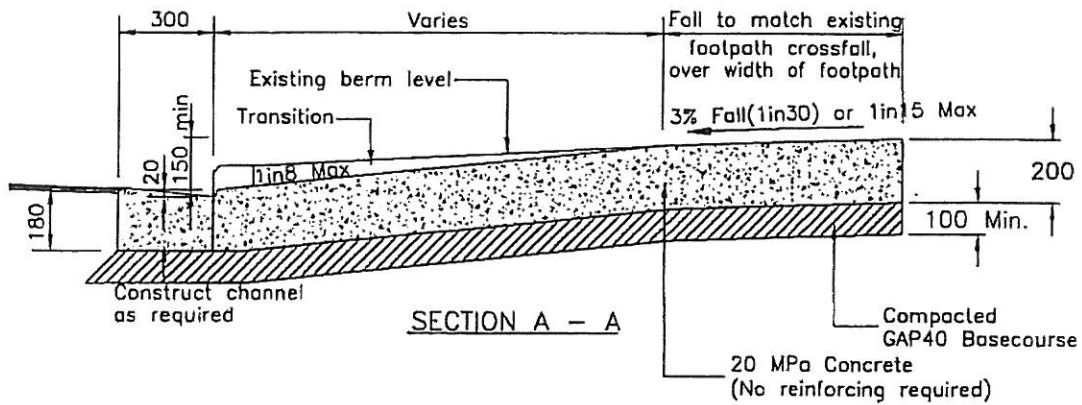


**VEHICLE CROSSING
FOOTPATH NEXT TO KERB**

**VEHICLE CROSSING
FOOTPATH SEPARATED FROM KERB**



DETAIL OF KERB TRANSITION AT CROSSING



FOR CONSTRUCTION NOTES REFER 12908/303

PREPARED BY: **OPUS**
INTERNATIONAL TRADING

AUCKLAND CITY

AUCKLAND CITY
Traffic and Roading Services

**INDUSTRIAL/COMMERCIAL
VEHICLE CROSSING**

SCALE : NTS
DRAWN : JZW
ISSUE DATE : 12/2003
APPROVED :

PLAN No. ISSUE B
12908/302/1