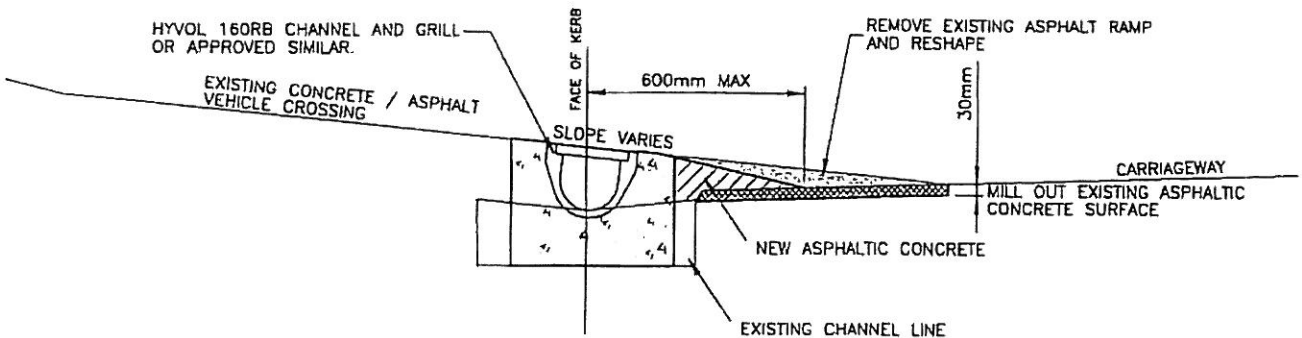


OPTION 2



OPTION 1

NOTE: TO BE USED WHEN ACCESS EXCEEDS ANGLES SHOWN ON 1290B/40B.

PREPARED BY:  **OPUS**
OPERATIONS ASSOCIATES

 **AUCKLAND CITY**

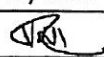
AUCKLAND CITY
Traffic and Roading Services

**BRIDGED
VEHICLE CROSSING**

SCALE : NTS

DRAWN : JZW

ISSUE DATE : 12/2003

APPROVED : 

PLAN No. 12908/327 ISSUE C