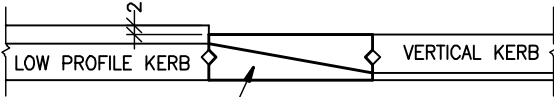
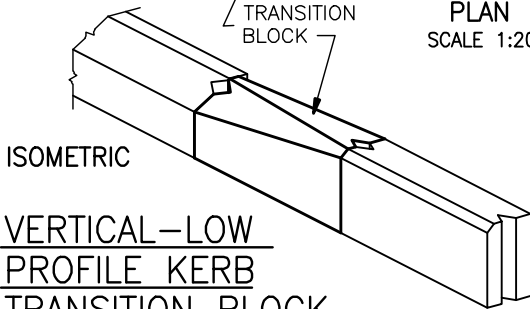


ELEVATION

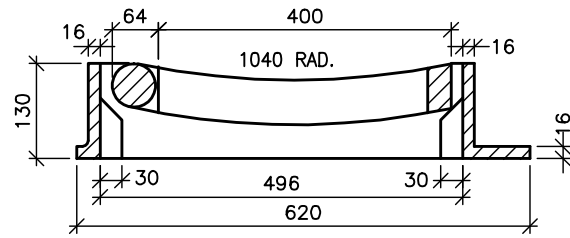


PLAN  
SCALE 1:20

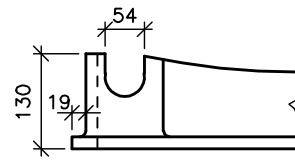


ISOMETRIC

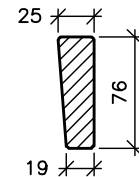
**VERTICAL-LOW  
PROFILE KERB  
TRANSITION BLOCK**



SECTION



PART END ELEVATION  
SCALE 1:10



SECTION OF RIB  
SCALE 1: 5

**GRATING DETAIL**

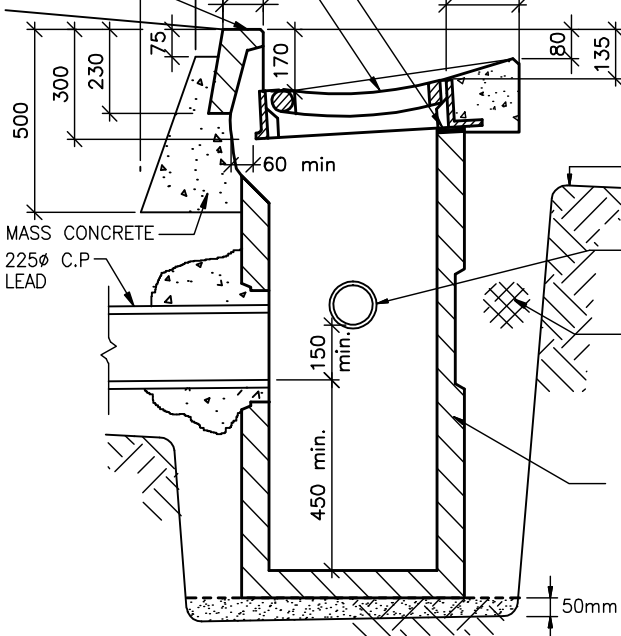
USE TRANSITION  
BLOCK AS PER ABOVE  
WHEN WORKING WITH  
MOUNTABLE KERBS

SYMMETRICAL ABOUT  
THIS POINT FOR DOUBLE  
CATCHPIT WITH A 300Ø  
CONNECTING PIPE.

10mm MIN. MORTAR BED  
TO ENSURE THAT CP FRAME  
IS SEATED SECURELY.

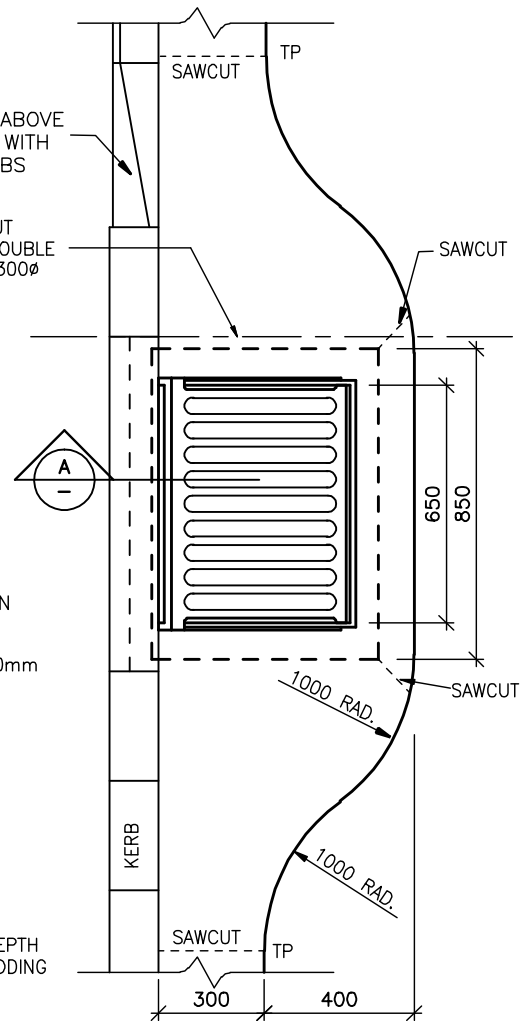
STANDARD CATCHPIT  
GRATING & FRAME  
(35mm CROSS FALL)

STANDARD  
BACK INLET



SECTION A-A

SCALE 1:20



PLAN

SCALE 1:20

NOTE :

All pipes to be finished flush with inside wall of catchpit.