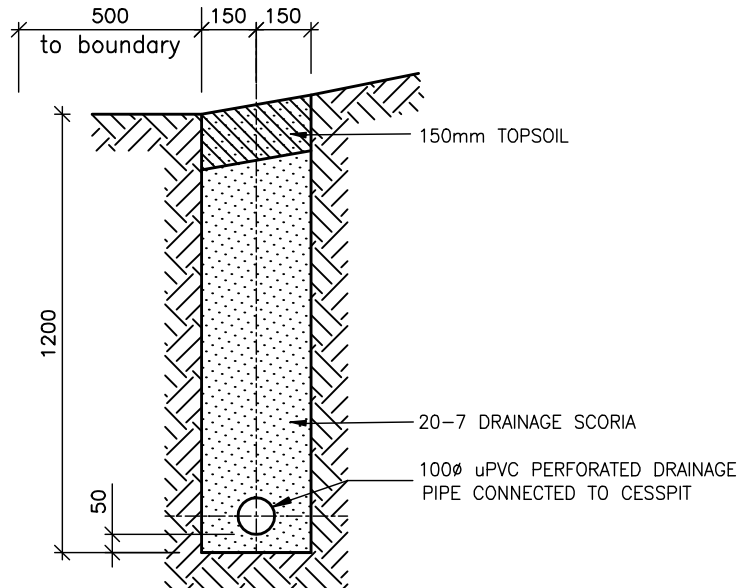


UNDERCHANNEL DRAIN

SCALE 1 : 20



BATTER DRAIN

SCALE 1 : 20