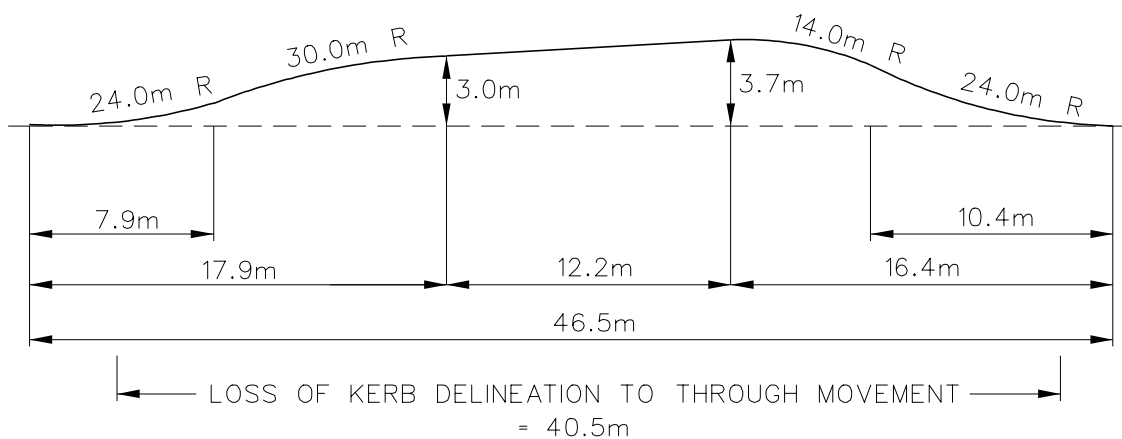


ARTICULATED BUS BAY



SINGLE BUS BAY

NOTES:-

1. For buses loading independently add 12.2m to length of 3.7m parallel bay.
2. Bus bay to be of concrete construction with a minimum of 225mm thickness and 2 layers of 665 mesh (75mm cover to underside and 50mm cover to top).
3. Concrete strength shall be 20 MPa at 28 days minimum.



Head Office: 50 Centreway Road, Orewa
Private Bag 500, Orewa, 1461, New Zealand
Tel: 0800 4265169, Fax (09) 4267280
Email: info@rodney.govt.nz

26 February 2009

STANDARD DETAIL:

INDENTED BUS BAYS

Copyright on this Drawing is Reserved

DATE: June 2005

NOT TO SCALE

RDC NO:

SHEET NO:

REV:

18000 3.22