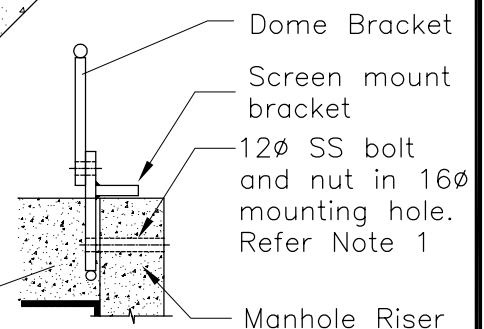
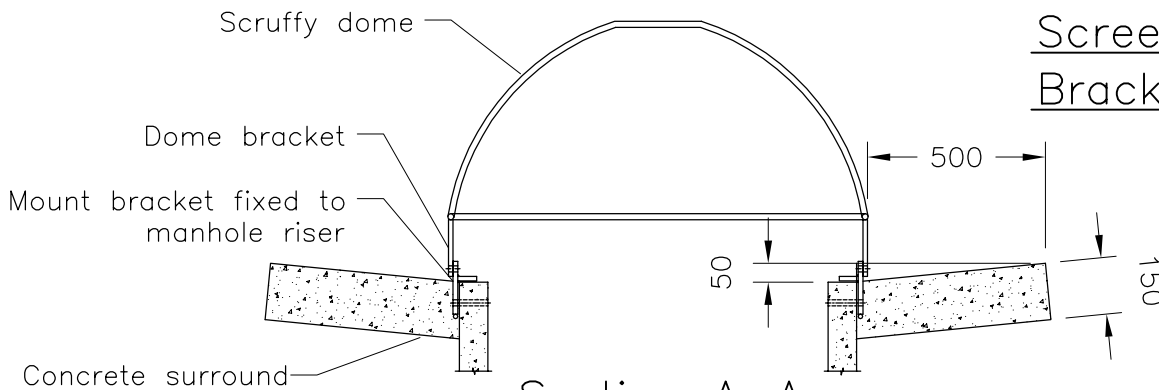


Plan



Screen Mount Bracket Detail



Section A-A

Notes

	Fix dome to mount bracket with
Up to 1050 $\phi$ Riser	2x 12 $\phi$ SS bolts and locknuts, and 2x Standard pattern padlocks
Over 1050 $\phi$ Riser	3x 12 $\phi$ SS bolts and locknuts, and 3x Standard pattern padlocks

1. Mounting holes in risers only required if riser top is above surrounding ground level.
2. Burr bolt end after installation.



DETAIL:

SCRUFFY DOME  
INSTALLATION

Engineering  
Quality  
Standards

DETAIL No:  
D14

MANUKAU CITY COUNCIL

UPDATED:  
OCT 2003