

FOOTPATH CHAMBER

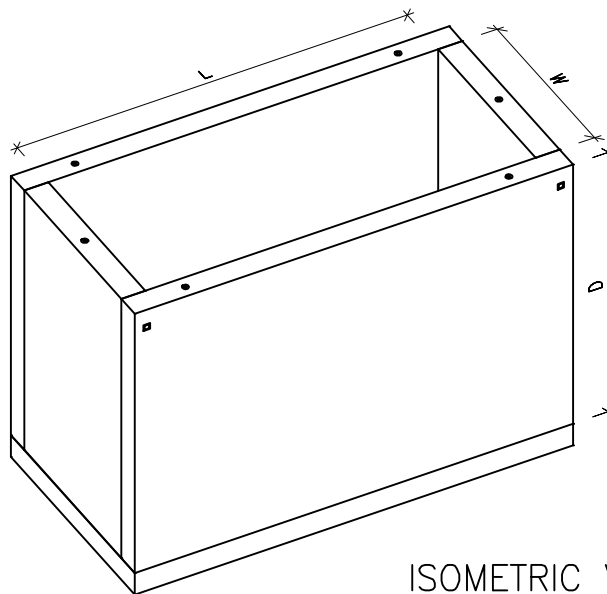
L (Length)	W (Width)	D (Depth)	MASS (Kg) (Approx.)	HUMES		HYNDS	
				1pce	5pce	1pce	5pce
600	600	600	350	✓	X	X	X
600	1500	900	700	X	✓	✓	X
1200	1200	1200	1720	X	X	✓	X

CARRIAGEWAY CHAMBER

L (Length)	W (Width)	D (Depth)	MASS (Kg) (Approx.)	HUMES		HYNDS	
				1pce	5pce	1pce	5pce
600	600	600	350	✓	X	X	X
1200	550	550	845	X	✓	X	X
1200	600	900	1100	X	X	✓	X
1200	900	1200	1720	X	X	✓	X

NOTES:

1. All dimensions are in mm.
2. All chambers to have approved 'Sika' aluminium kitset lids with lockable covers and W.C.C. logo.
3. Alternative I.C.T. chamber = 'Sika' aluminium kitset chamber with lockable aluminium lid, as per manufacturers specification. (See SD8.02)



ISOMETRIC VIEW
SCALE 1 : 20