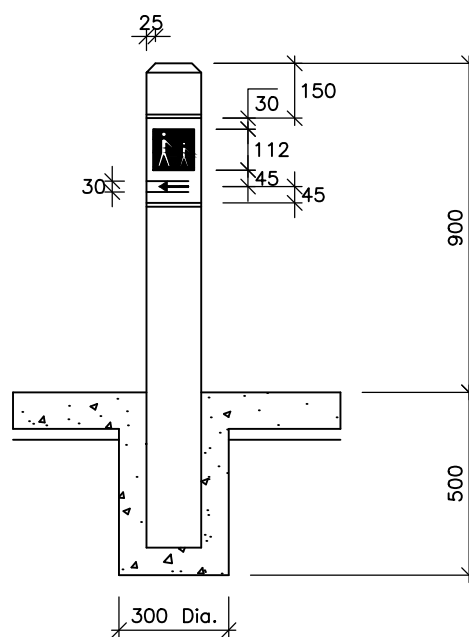


ENTRY BOLLARD

LOCATED AT ROAD BOUNDARY



SIDE ELEVATION

BOLLARD CONSTRUCTION NOTES:

1. Outdoor recreation symbol No. 50 to NZS 8603:1992 standard, on front sides only.
2. Symbols and directional arrows to be checked 10mm into posts.
3. 10mm routed grooves to be cut on all four faces of the posts with the grooves lining up.
4. Grooves to be highlighted in blue.
5. Bollard placement to be assessed on site – to be placed to one side of the path.

ENGINEERING
STANDARDS MANUAL

ISSUE
SEPTEMBER 2010

**PEDESTRIAN & CYCLIST
ACCESSWAY
BOLLARD DETAILS**

STANDARD DETAIL

SD3.18.2