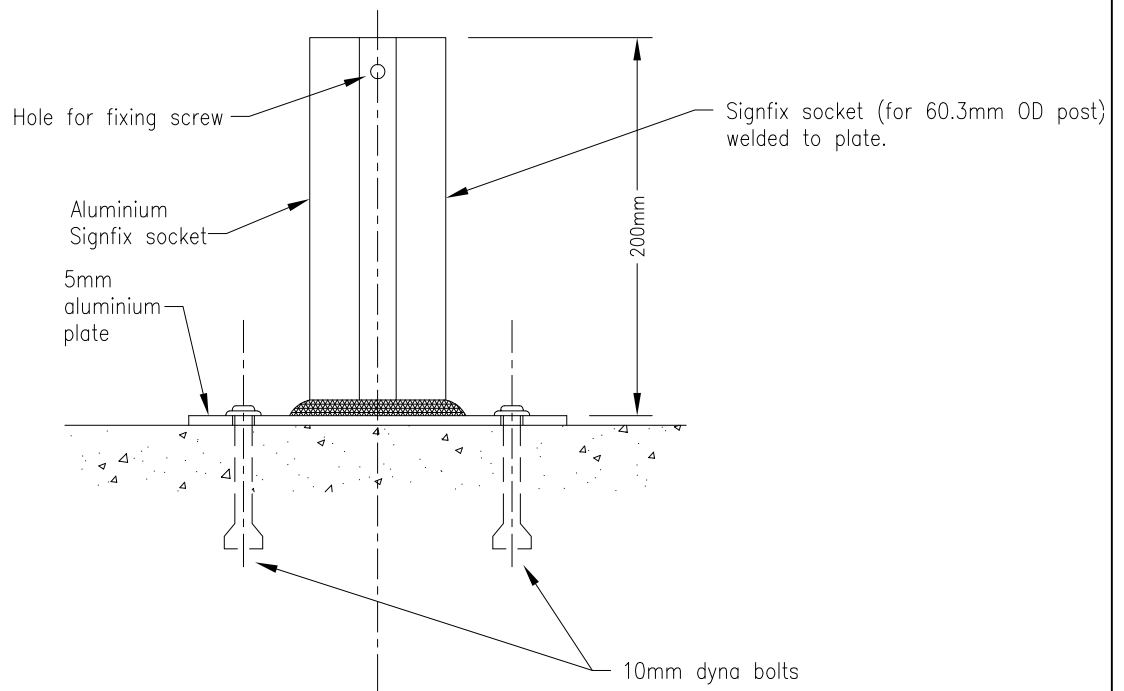


## SURFACE MOUNT SOCKET

To be used for securing to concrete bridges, etc. where no digging is permitted.

N.B. All components powder coated white



PREPARED BY:



**AUCKLAND CITY**  
Transport

**AUCKLAND CITY**  
**SURFACE MOUNT SOCKET**

SCALE : NTS

DRAWN : GMW

ISSUE DATE : 11/2008

APPROVED :

PLAN No. ISSUE A

**2008/1015**