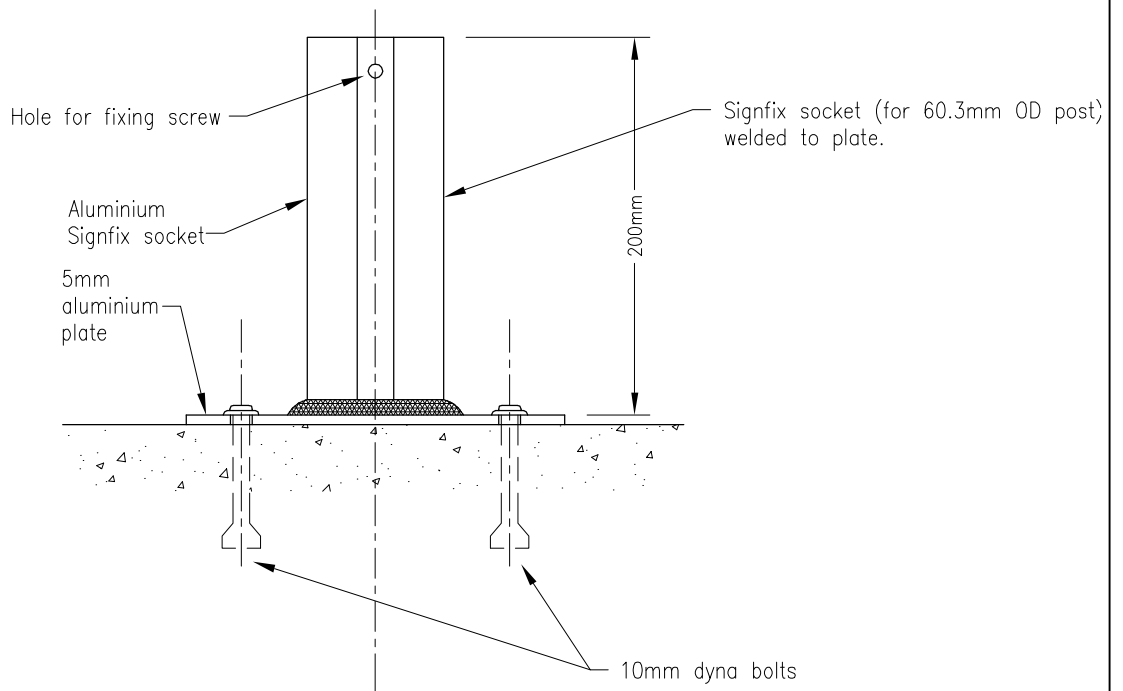


SURFACE MOUNT SOCKET

To be used for securing to concrete bridges, etc. where no digging is permitted.

N.B. All components powder coated white



PREPARED BY OPUS:



AUCKLAND CITY
Transport

AUCKLAND CITY
SURFACE MOUNT SOCKET

SCALE : NTS

DRAWN : GMW

ISSUE DATE : 11/2008

APPROVED :

PLAN No. ISSUE B

2008/1015