

CENTRAL BUSINESS DISTRICT NAME BLADES

MAJOR INTERSECTION BLADES

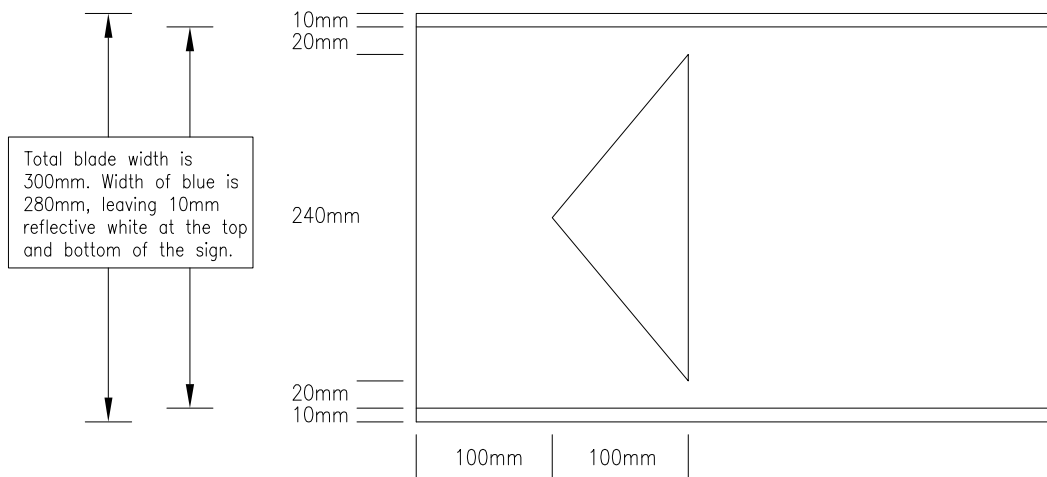
Class 1 wide observation angle retroreflective sheeting, blue colour overlay.

FINISHED BLADE



* Signs could possibly be single sided or double sided, depending on the length.

BLADE END SHOWING ARROWHEAD



PREPARED BY:



AUCKLAND CITY
Transport

AUCKLAND CITY
STREET NAME
BLADE DESIGN

SCALE : NTS

DRAWN : GMW

ISSUE DATE : 11/2008

APPROVED :

PLAN No. ISSUE A

2008/1004