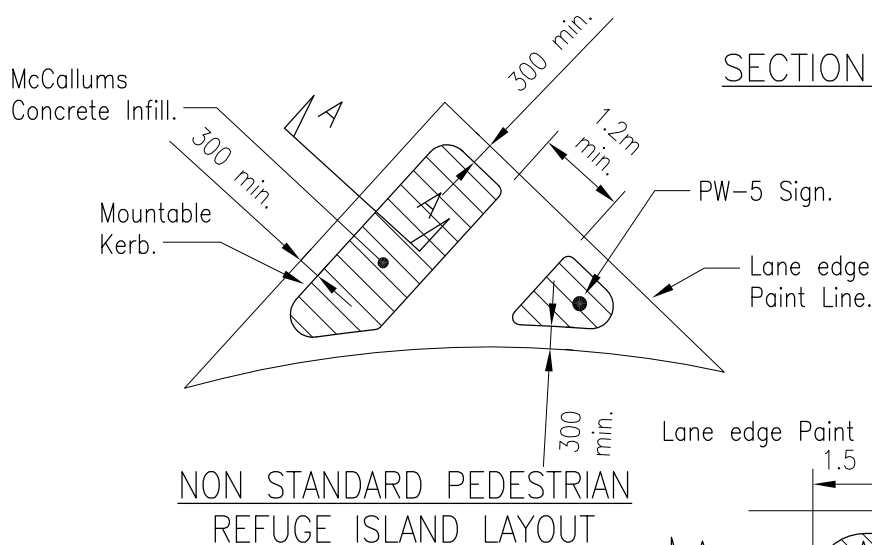
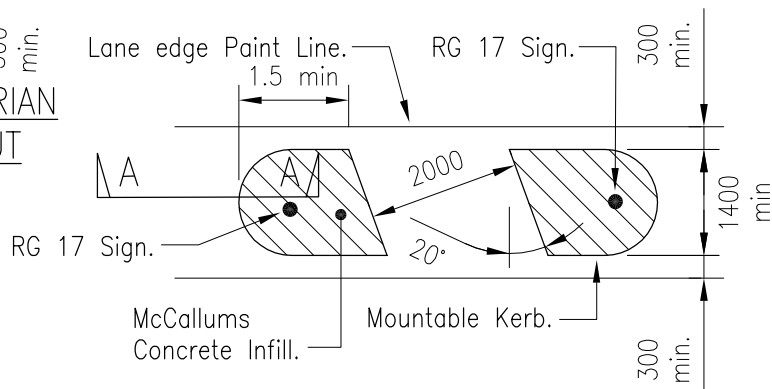


SECTION A-A - IN-SITU

SECTION A-A - PRECAST



NON STANDARD PEDESTRIAN REFUGE ISLAND LAYOUT



CONVENTIONAL PEDESTRIAN REFUGE ISLAND LAYOUT

NOTES

1. The existing paved surface (concrete or asphalt) shall be coated with approved bonding agent prior to the placing of any mortar bedding or concrete backing material.
2. Surface of island to have a crossfall of 10% or max rise to centre of 150mm.
3. Use radius blocks as required.
4. All sign posts are to be SS-3 type - (Vertiflex Posts).
5. A minimum clearance of 300mm should be achieved between edge of any signs and kerb faces.
6. A minimum clearance of 300mm between kerb face and lane edge line should be achieved

PREPARED BY:



AUCKLAND CITY
Transport

SCALE : NTS

DRAWN : JZW

ISSUE DATE : 11/2008

APPROVED :

PLAN No. ISSUE A

2008/0701



TYPICAL TRAFFIC ISLAND