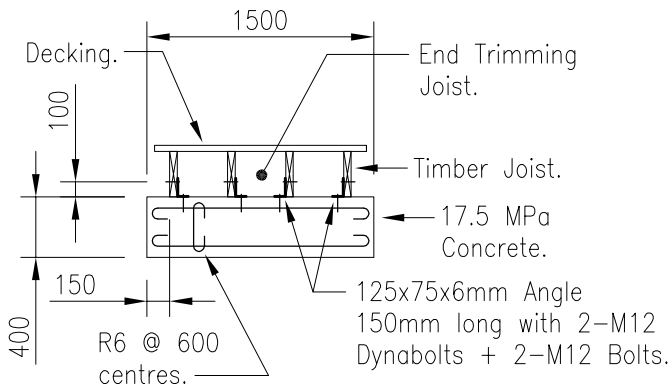
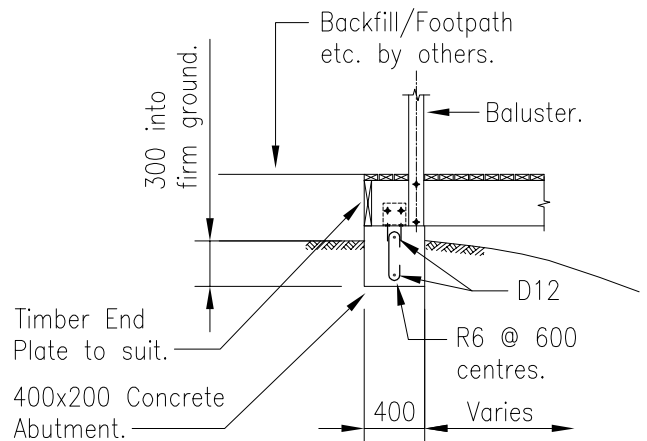


**TYPICAL LONGITUDINAL ELEVATION**  
SHOWING MULTIPLE SPANS



**ELEVATION**



**END ELEVATION**

**CONCRETE BOARDWALK ABUTMENT**

These details only to be used for specific projects subject to initial inspection of the site by a Registered Engineer experienced in this type of work, and subsequent provision of a Topographical Survey and Geotechnical Investigation, as necessary.

**JOIST SPAN TABLE**

SPAN	JOISTS
1200mm TO 2400mm	4No-200x50
2400mm TO 3600mm	4No-250x50
3600mm TO 4400mm	4No-300x50

ALSO REFER DRAWINGS 2008/0420, 2008/0421 AND 2008/0422.

PREPARED BY:



**AUCKLAND CITY**  
Transport

**BOARDWALK**  
ABUTMENT ELEVATIONS

SCALE : 1:50

DRAWN : LJC

ISSUE DATE : 11/2008

APPROVED :

PLAN No. ISSUE A

**2008/0419**