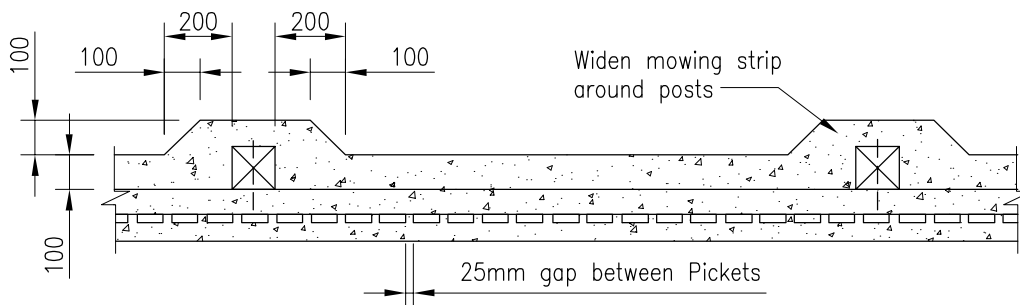


TYPICAL SIDE ELEVATION

TYPICAL FRONT ELEVATION



TYPICAL PLAN

NOTES

1. All timber to be retention tanalised pine and dressed both sides.
2. Prime timber before assembly and paint with coats of client approved paint.

PREPARED BY OPUS:



AUCKLAND CITY
Transport

TYPICAL PICKET
FENCE DETAIL B

SCALE : NTS

DRAWN : TA

ISSUE DATE : 11/2008

APPROVED :

PLAN No. ISSUE B

2008/0409