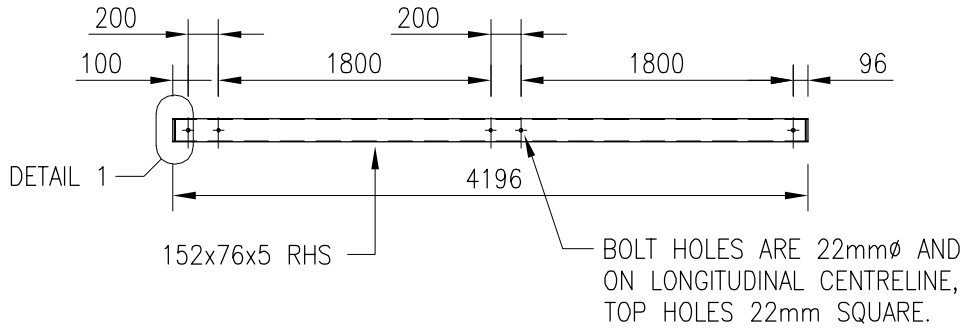
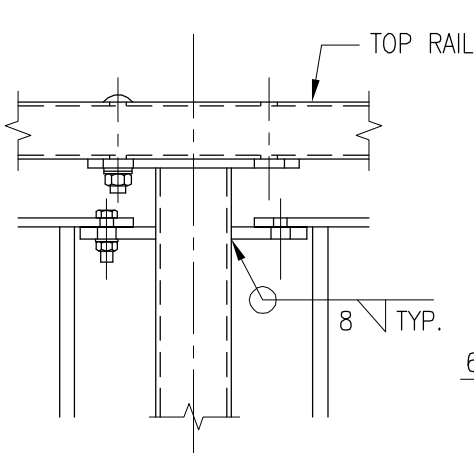


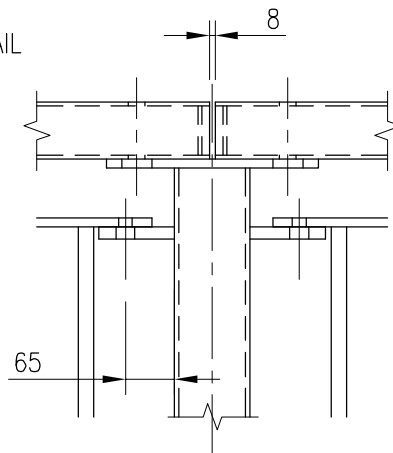
PLAN - TOP RAIL



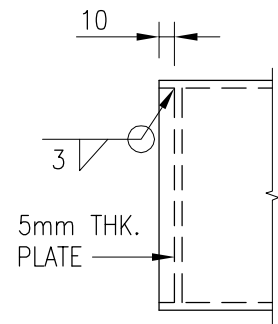
PLAN - END TOP RAIL



TOPRAIL CONTINUOUS



TOPRAIL JOINT



DETAIL 1

NOTES

1. ALL STEEL COMPONENTS TO BE HOT DIP GALVANISED AFTER FABRICATION IN ACCORDANCE WITH AS/NZS4680.

PREPARED BY OPUS:



**AUCKLAND CITY**  
Transport

FENCE TYPE G  
PART TWO OF THREE

SCALE :	NTS.
DRAWN :	R.A.A.
ISSUE DATE :	11/2008
APPROVED :	
PLAN No.	ISSUE B
2008/0406	