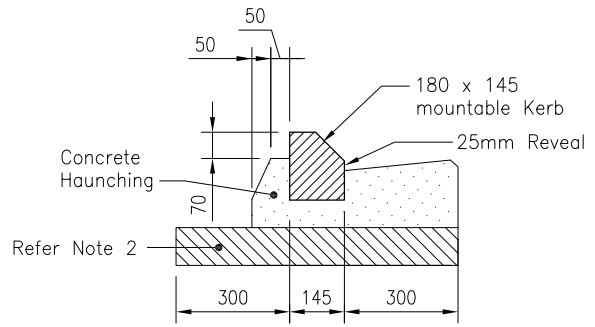
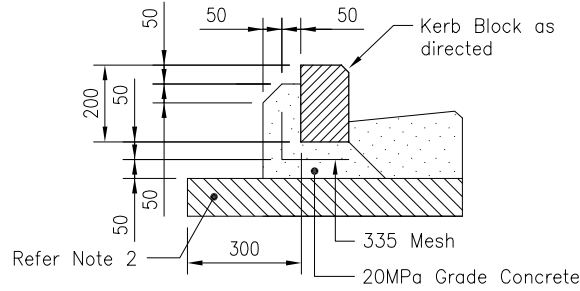


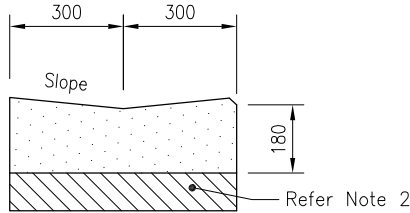
STANDARD KERB AND CHANNEL



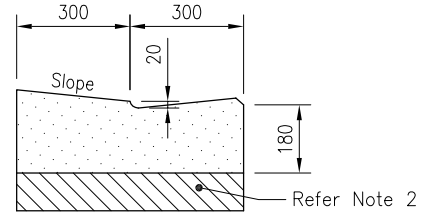
MOUNTABLE KERB AND CHANNEL



REINFORCED HAUNCHING DETAIL



INSITU PRAM CROSSING



INSITU VEHICLE CROSSING

TYPE 1

BASALT OR PRE-CAST KERB AND CHANNEL

NOTES

1. Concrete grades:
Precast kerb blocks 20MPa. In-Situ channel and haunching 20MPa. Extruded concrete 25MPa.
2. Bedding:
Kerbings to be laid on 300mm. min. GAP65 subbase in roads and 100mm GAP40 in footpaths (Where subgrade CBR>5). If the subgrade CBR<5 then roads and footpaths are to be undercut and backfilled with an approved filling material.
3. Jointing:
Precast kerb 10mm (min) neatly pointed with cement mortar. Extruded kerbs cracking control joints formed or saw cut to a minimum depth of 30mm at max. 4.00m intervals. If footpath is adjacent to kerb the saw cuts shall coincide with the concrete footpath joints. Joints between bluestone kerb blocks shall be approximately 20mm wide (measured at the top and front faces) with neat square jointing 2 to 4 mm proud. Crack control joints to be located either side of vehicle crossings.
4. Bluestone kerb blocks shall not extend across vehicle or pram crossings.

PREPARED BY:



AUCKLAND CITY
Transport

KERBS AND CHANNELS

SCALE : NTS.

DRAWN : PH

ISSUE DATE : 11/2008

APPROVED :

PLAN No. ISSUE A

2008/0201